

KEY FEATURES

- 12 bass loudspeaker and 2 exit compression driver combination.
- Excellent power handling: 350 w AES (L.F. unit) and 90 w AES (H.F. unit).
- Extended and linear frequency response (25 - 20.000 Hz).
- High sensitivity: 98 dB (L.F. unit) and 105 dB (H.F. unit).
- Low weight (common neodymium magnet system for both units).
- Bass loudspeaker designed for compact bass-reflex cabinets.

TECHNICAL SPECIFICATIONS

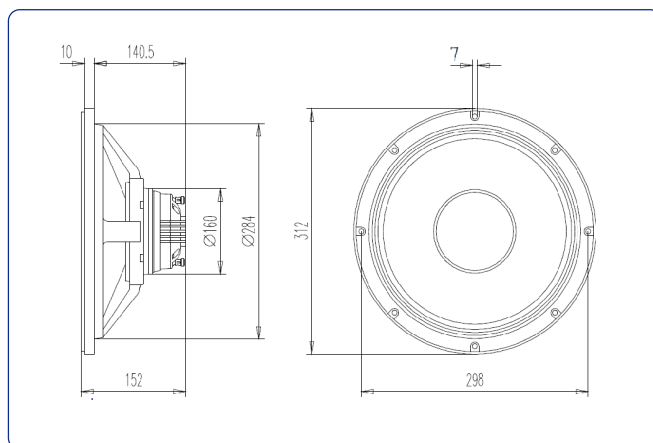
Nominal diameter	300 mm. 12 in.
Rated impedance (LF/HF)	8 / 16 ohms
Minimum impedance (LF/HF)	7.6 / 13.5 ohms
Power capacity*(LF/HF)	350 / 90 w AES
Program power(LF/HF)	700 / 180 w
Sensitivity (LF/HF)	98 dB / 105 dB 1W @ 1m @ 2π
Frequency range	35 - 20000 Hz
Recom. HF crossover	1.8kHz or higher (12dB/oct. min slope)
Voice coil diameter	100 mm. 4 in.
Magnetic assembly weight	4.2 kg. 9.24 lb.
BL factor	18.2 N / A
Moving mass	0.047 kg.
Voice coil length	16 mm
Air gap height	9 mm
X damage (peak to peak)	28 mm

THIELE-SMALL PARAMETERS**

Resonant frequency, fs	35 Hz
D.C. Voice coil resistance, Re	6.8 ohms
Mechanical Quality Factor, Qms	7.98
Electrical Quality Factor, Qes	0.22
Total Quality Factor, Qts	0.21
Equivalent Air Volume to Cms, Vas	172 l
Mechanical Compliance, Cms	430 μm / N
Mechanical Resistance, Rms	1.36 kg / s
Efficiency, ηo (%)	3.3
Effective Surface Area, Sd (m²)	0.0530 m²
Maximum Displacement, Xmax***	4 mm
Displacement Volume, Vd	210 cm³
Voice Coil Inductance, Le @ 1 kHz	1.3 mH



DIMENSION DRAWINGS



MOUNTING INFORMATION

Overall diameter	312 mm.	12.28 in.
Bolt circle diameter	298 mm.	11.73 in.
Baffle cutout diameter:		
- Front mount	284 mm.	11.18 in.
- Rear mount	280 mm.	11.02 in.
Depth	152 mm.	5.98 in.
Volume displaced by driver	6.5 l.	0.23 ft. ³
Net weight	6.3 kg.	13.86 lb.
Shipping weight	7 kg.	15.4 lb.

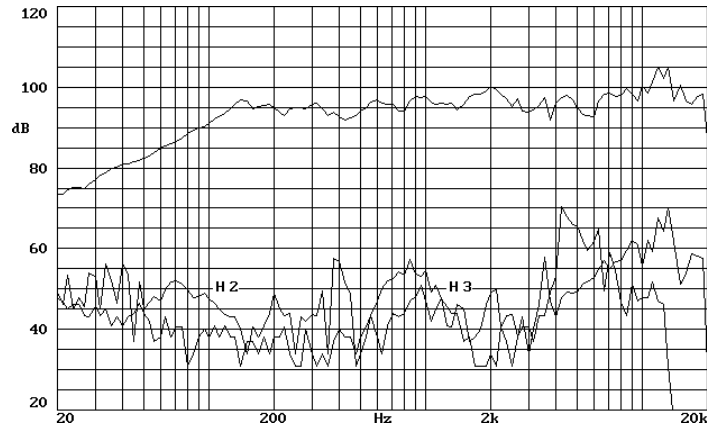
Notes:

*The power capacity is determined according to AES2-1984 (r2003) standard. Program power is defined as the transducer's ability to handle normal music program material.

**T-S parameters are measured after an exercise period using a preconditioning power test. The measurements are carried out with a velocity-current laser transducer and will reflect the long term parameters (once the loudspeaker has been working for a short period of time).

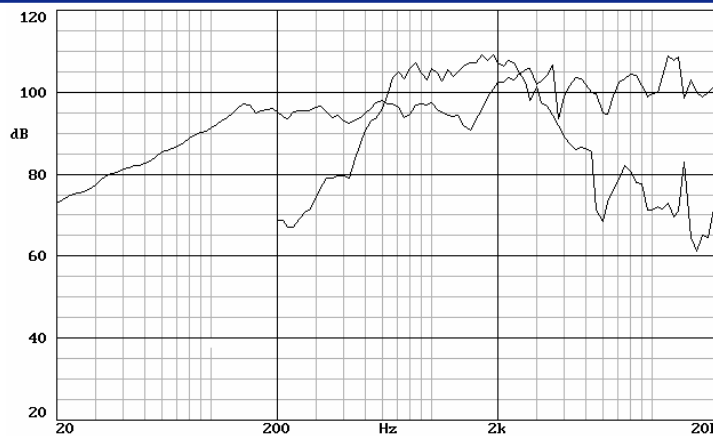
***The Xmax is calculated as (Lvc - Hag)/2 + Hag/3.5, where Lvc is the voice coil length and Hag is the air gap height.

FREQUENCY RESPONSE AND DISTORTION CURVES



Note: On axis filtered frequency response measured with loudspeaker standing on infinite baffle in anechoic chamber, 1w @ 1m with FD2XA.

FREQUENCY RESPONSE OF LF & HF UNITS



Note: on axis frequency response measured with loudspeaker standing on infinite baffle in anechoic chamber, 2.83V @ 1m.

OFF-AXIS FREQUENCY RESPONSE

