

Neodymium series

18N850

Neodymium Ultra Low Distortion Woofer

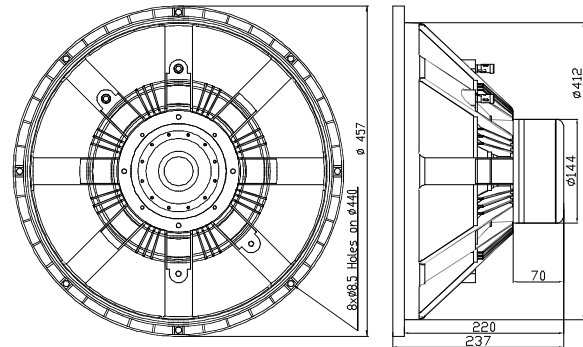


Features:

- 97dB sensitivity 1W/1m
- 1.200W Power handling
- 4" copper sandwich voice coil for low power compression
- Neodymium magnet system
- Double treated cone for water protection
- Triple aluminium demodulating rings for ultra low distortion
- Optimal for high output subwoofers

SPECIFICATIONS

APPLICATION	Low-Middle	
Nominal impedance	Ohm	8 4
Power handling AES noise	W	1200 1200
Sensitivity (1W/1m)	dB	97 97
Frequency response	Hz	20 - 200
Voive coil diameter	mm	101.6 (4")
Voive coil winding depth	mm	38
Magnet gap depth	mm	12
Voice coil material		Cu Cu
Basket		Cast Aluminium
Effect. diaphragm diameter D	mm	393 393



THILE - SMALL PARAMETERS			
Resonance frequency	Fs	Hz	24.4 23.7
DC resistance	Re	Ohm	5.7 3
Mechanical Q factor	Qms		7.23 7.45
Electrical Q factor	Qes		0.26 0.27
Total Quality factor	Qts		0.25 0.26
Equivalent volume	Vas	L	288 288
Moving mass	Mms	kg	0.303 0.322
Mechanical compl.	Cms	mm/N	0.140 0.140
BL factor	BL	Tesla/m	31.70 23.00
Effective piston area	Sd	m ²	0.1212 0.1212
Max. linear excursion	Xmax	mm	± 13 ± 13
Voice coil inductance	Le1k	µH	1.07
	Le10k	µH	0.24

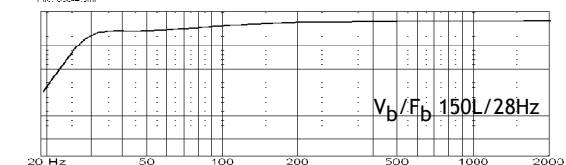
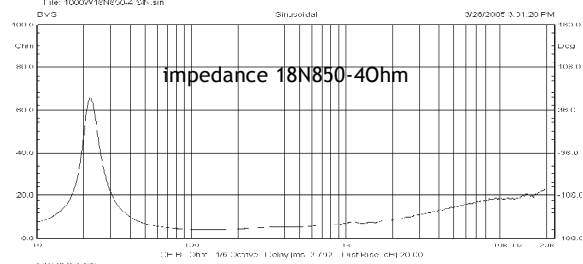
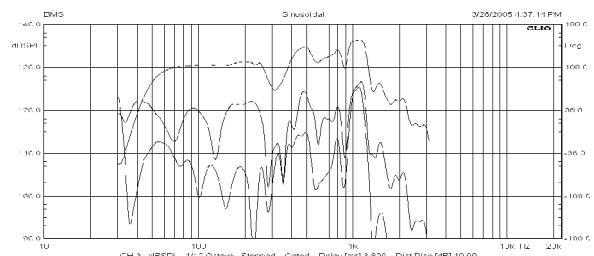
MOUNTING INFORMATION			
Overall diameter	mm	457 457	
Mounting holes diameter	mm	8.5 8.5	
Bolt circle diameter	mm	440 440	
Baffle cut-out diameter	mm	414 414	
Overall depth	mm	233 233	
Net weight	kg	6.6 6.6	

Recommended reflex enclosure:

125L/30Hz, -3dB=32Hz, BRD=170mm/441mm long

150L/28Hz, -3dB=30Hz, BRD=190mm/539mm long

Frequency response measured 1000W (89,4V)@ 1m in a closed enclosure of 150 litre incl. 2nd and 3rd harmonic distortion raised 10dB.



BMS Elektronik GmbH · Boulevard der EU 6 · 30539 Hannover · Expo Park · Germany

phone: +49 (0) 511 - 879 38 98 · fax: +49 (0) 511 - 879 39 01 · e-mail: info@bms elektronik.de · internet: www.codaudio.com