

### Features:

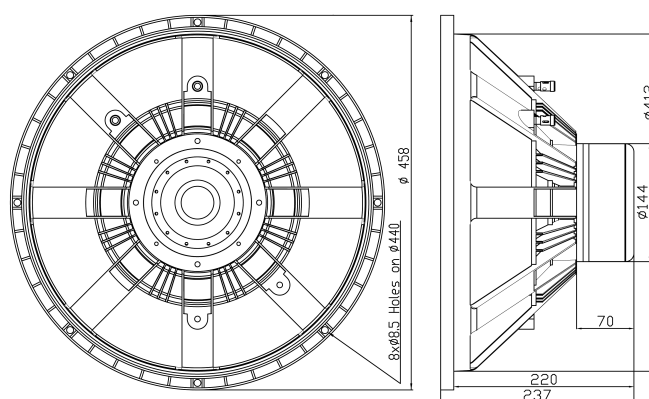
- 95dB sensitivity 1W/1m
- 1.200W Power handling
- 4" copper sandwich voice coil for low power compression
- Neodymium magnet system
- Double treated cone for water protection
- Triple aluminium demodulating rings for ultra low distortion
- Optimal for high output subwoofers
- Light weight carbon fiber diaphragm

## SPECIFICATIONS

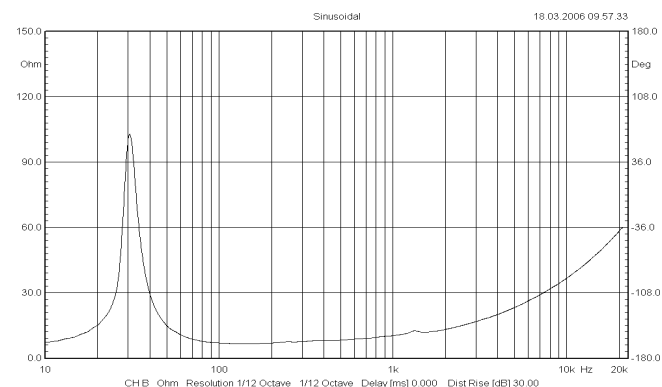
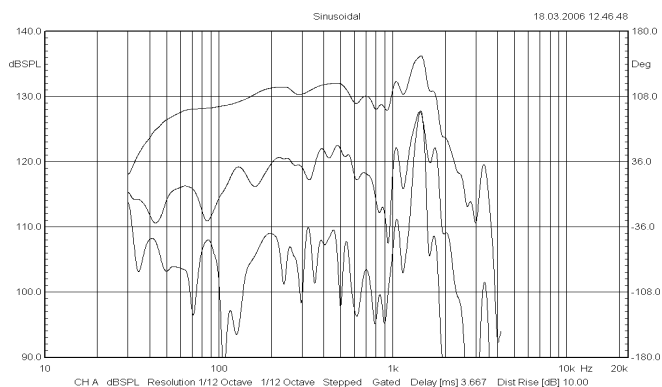
APPLICATION	infra-Subwoofer	
Nominal impedance	Ohm	8
Power handling AES noise	W	1200
Sensitivity ( 1W/1m )	dB	95
Frequency response	Hz	20 - 200
Voive coil diameter	mm	101.6 (4")
Voive coil winding depth	mm	38
Magnet gap depth	mm	12
Voice coil material		Cu
Basket		Cast Aluminium
Effect. diaphragm diameter D	mm	393

THIELE - SMALL PARAMETERS			
Resonance frequency	Fs	Hz	29.7
DC resistance	Re	Ohm	5
Mechanical Q factor	Qms		7.45
Electrical Q factor	Qes		0.36
Total Quality factor	Qts		0.34
Equivalent volume	Vas	L	247
Moving mass	Mms	kg	0.240
Mechanical compl.	Cms	mm/N	0.120
BL factor	BL	Tesla m	26.20
Effective piston area	Sd	m <sup>2</sup>	0.1213
Max. linear excursion	Xmax	mm	± 13
Voice coil inductance	Le1k	mH	0.89
	Le10k	mH	0.51

MOUNTING INFORMATION		
Overall diameter	mm	458
Mounting holes diameter	mm	8 x 8.5
Bolt circle diameter	mm	440
Baffle cut-out diameter	mm	414
Overall depth	mm	237
Net weight	kg	9.8



Frequency response measured 1000W (89.4V) at 1m in a vented enclosure of 170 litre tuned 32Hz incl. 2nd and 3rd harmonic distortion raised 10dB.



### Recommended reflex enclosure:

140L/32Hz, BRD=200mm/502mm long