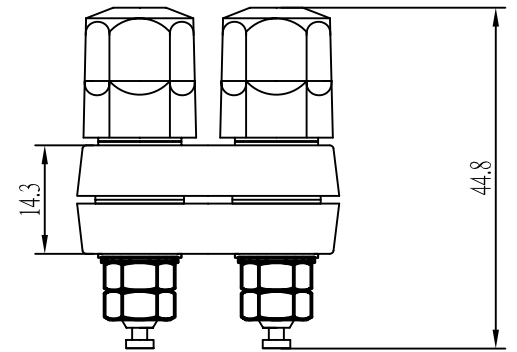
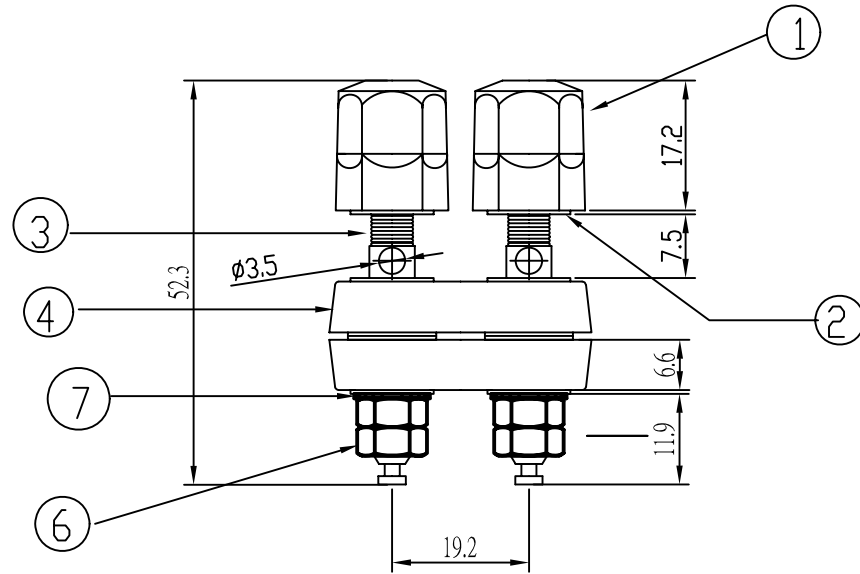


SPECIFICATION:
 RATING: 20A 125VAC
 INSULATING RESISTANCE:DC500V 100M OHM MIN
 DIELECTRIC STRENGTH:AC 1000V 1 MINUTE
 OPERATING TEMPERATURE: -25°C ~ 70°C



TOLERANCES
0.5MM-5MM=±0.2MM
5MM-30MM=±0.4MM
30MM-120MM=±0.6MM
120MM-315MM=±1.0MM
315MM-1000MM=±1.6MM
1000MM-2000MM=±2.4MM

							REF.NO.
						DUAL BINDING POST ABS, NICKEL PLATED	