

Model No: DX25BG60-04  
 Product Line: Tymphany

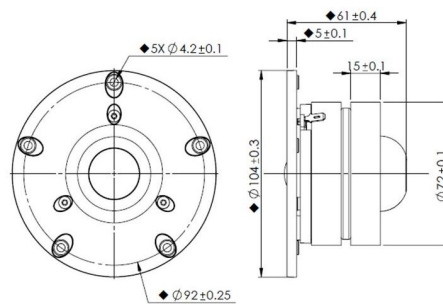
Rev: 3  
 Last Update: 2015-09-16 19:30:08

## Product Description

This DX family tweeter features a 4 ohm 25 mm ferrofluid-cooled voice coil, a damped silk diaphragm with large surround roll to produce a low resonant frequency, and a big ferrite magnet motor for power handling capacity. The faceplate features recessed mounting holes to minimize reflections.



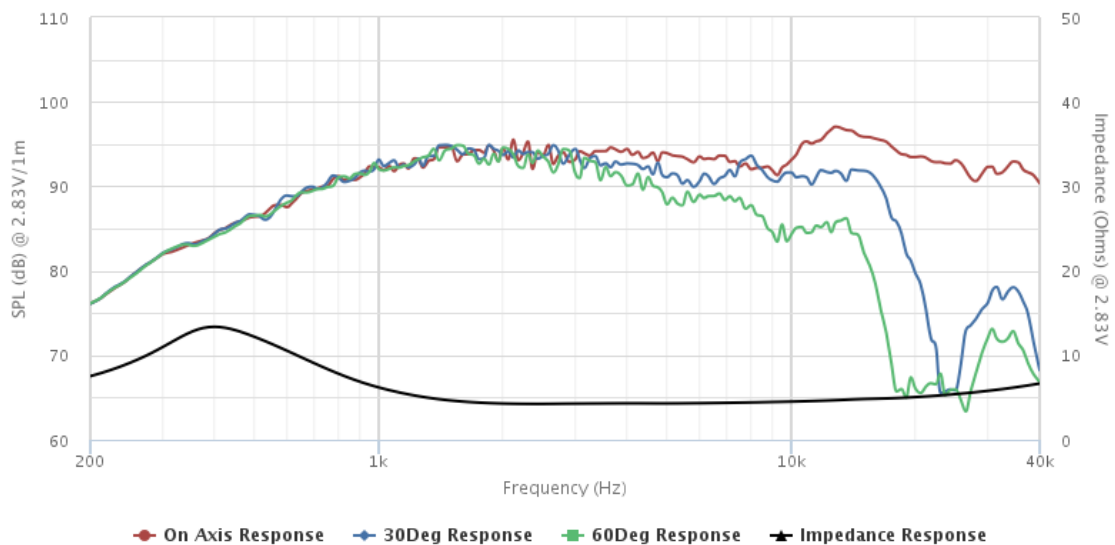
## Mechanical Drawing



## Specifications

DC Resistance	Revc	Ohms	3.47	5.0%	Energy Bandwidth Product	EBP	(1/Qes)*fs
Minimum Impedance	Zmin	Ohms	4.25	7.5%	Moving Mass	Mms	g
Voice Coil Inductance	Le	mH	0.01		Suspension Compliance	Cms	um/N
Resonant Frequency	Fs	Hz	415.36	15%	Effective Cone diameter	D	cm
Mechanical Q Factor	Qms		1.4		Effective Piston Area	Sd	cm <sup>2</sup>
Electrical Q Factor	Qes		0.48		Effective Volume	Vas	L
Total Q Factor	Qts		0.35		Motor Force Factor	BL	Tm
Ratio Fs/Qts	F	Fs/Qts	1186.74		Motor Efficiency Factor	$\beta$	(T*M <sup>2</sup> )/Ohms
Half Space Sensitivity @2.83V	db@2.83V/1M	dB	93.99	+/- 1.0db	Voice coil former Material	VCfm	
Half Space Sensitivity @1W/1M	db@1W/1M	dB	91.2	+/- 1.0db	Voice coil inner diameter	VCd	mm
Gap Height	Gh	mm	2		Rated Noise Power	P	W
Maximum Linear Excursion	Xmax	mm	0.1		Test Spectrum Bandwidth		2.5kHz - 20kHz
Ferrofluid Type	FF				Driver Size	Inch	25 mm
Driver Mass	Kg		0.8				

## Frequency and Impedance Response



Highcharts.com