

Model No: GBS-250F38CP01-04  
 Product Line: Tymphany

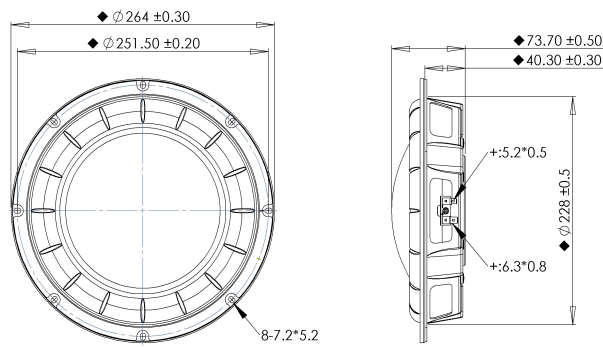
Rev: 3  
 Last Update: 2015-09-14 02:51:33

## Product Description

This 10 inch 4 ohm transducer member of the GBS family provides a very slim woofer capable of large excursion. A highly optimized ferrite magnet and unique suspension layout combine to give a cost effective solution in a previously unavailable package.



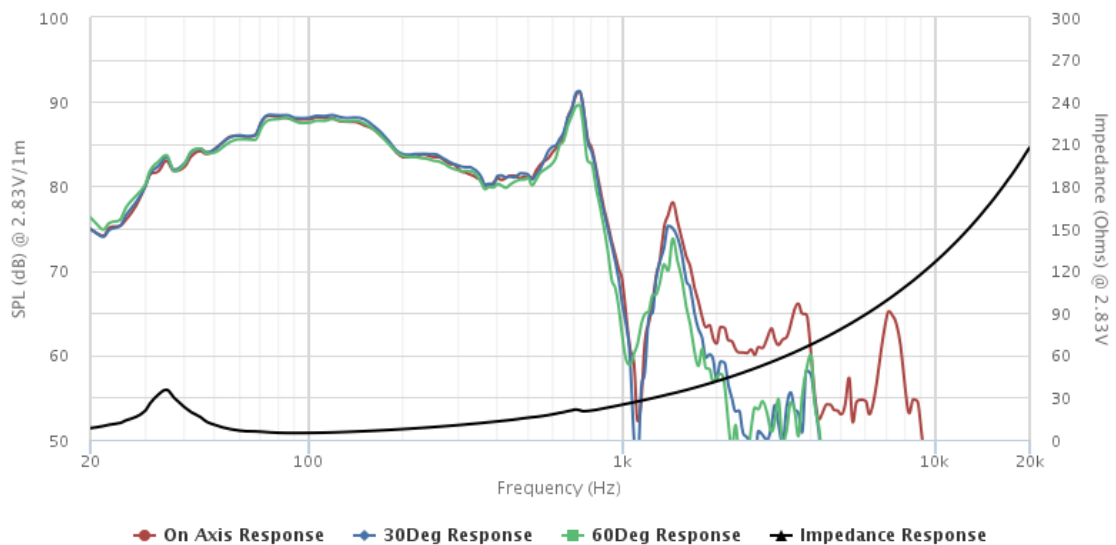
## Mechanical Drawing



## Specifications

DC Resistance	Revc	Ohms	3.45	5.0%	Energy Bandwidth Product	EBP	(1/Qes)*fs
Minimum Impedance	Zmin	Ohms	4.85	7.5%	Moving Mass	Mms	g
Voice Coil Inductance	Le	mH	2.36		Suspension Compliance	Cms	um/N
Resonant Frequency	Fs	Hz	37.69	15%	Effective Cone diameter	D	cm
Mechanical Q Factor	Qms		5.62		Effective Piston Area	Sd	cm <sup>2</sup>
Electrical Q Factor	Qes	0.49			Effective Volume	Vas	L
Total Q Factor	Qts	0.45			Motor Force Factor	BL	Tm
Ratio Fs/Qts	F	Fs/Qts	83.37		Motor Efficiency Factor	$\beta$	(T*M <sup>2</sup> )/Ohms
Half Space Sensitivity @2.83V	db@2.83V/1M	dB	87.99	+/- 1.0db	Voice coil former Material	VCfm	KSV
Half Space Sensitivity @1W/1M	db@1W/1M	dB	85.8	+/- 1.0db	Voice coil inner diameter	VCd	mm
Gap Height	Gh	mm	8		Rated Noise Power	P	W
Maximum Linear Excursion	Xmax	mm	6		Test Spectrum Bandwidth	50Hz-2000Hz	
Ferofluid Type	FF				Driver Size	Inch	10 in
Driver Mass	Kg	3.24					

## Frequency and Impedance Response



Highcharts.com