

Model No: TC8FD00-04
 Product Line: Tymphany

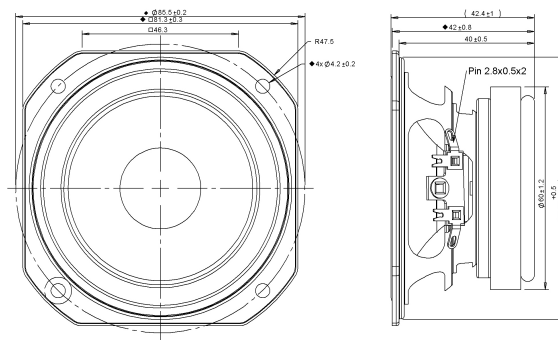
Rev: 1.0
 Last Update: 2015-08-31 20:18:18

Product Description

This TC family 3.0 inch 4 ohm full-range driver, with ferrite magnet, paper cone and rubber surround, and steel basket, is designed to be a cost-effective high performance full range driver. The cone utilizes Tymphany-patented PentaCut NRSC cone technology to help dampen and control cone resonances, optimizing the listening experience. The motor contains a copper cap to lower inductance and distortion. The product was designed with portable and other compact applications in mind.



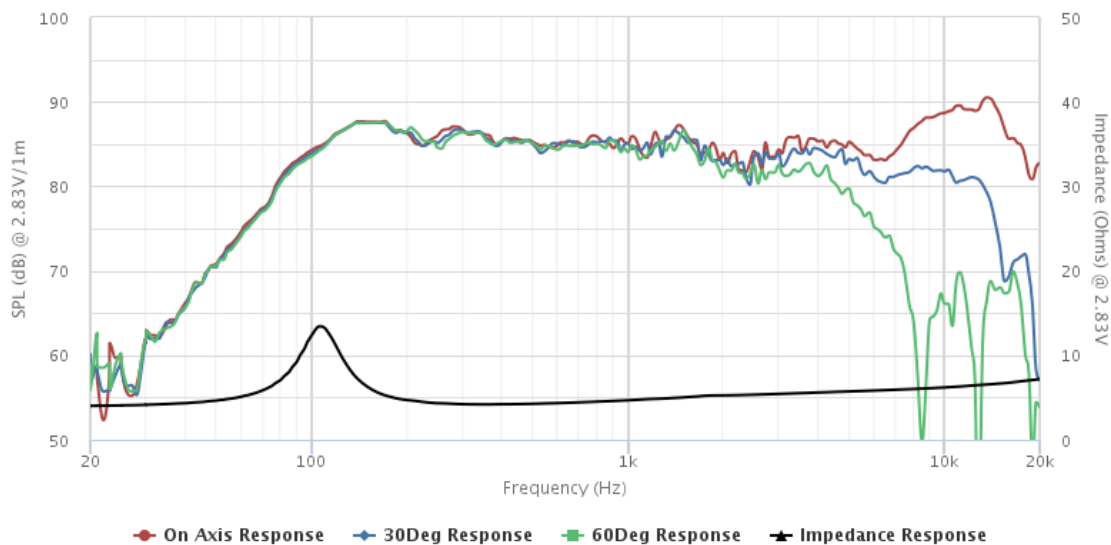
Mechanical Drawing



Specifications

DC Resistance	Revc	Ohms	3.29	5.0%	Energy Bandwidth Product	EBP	(1/Qes)*fs
Minimum Impedance	Zmin	Ohms	4.19	7.5%	Moving Mass	Mms	g
Voice Coil Inductance	Le	mH	0.03		Suspension Compliance	Cms	um/N
Resonant Frequency	Fs	Hz	124.74	15%	Effective Cone diameter	D	cm
Mechanical Q Factor	Qms		3.7		Effective Piston Area	Sd	cm^2
Electrical Q Factor	Qes	1.23			Effective Volume	Vas	L
Total Q Factor	Qts	0.92			Motor Force Factor	BL	Tm
Ratio Fs/Qts	F	Fs/Qts	135.3		Motor Efficiency Factor	β	(T*M^2)/Ohms
Half Space Sensitivity @2.83V	db@2.83V/1M	dB	85.71	+/- 1.0db	Voice coil former Material	VCfm	ASV
Half Space Sensitivity @1W/1M	db@1W/1M	dB	82.9	+/- 1.0db	Voice coil inner diameter	VCd	mm
Gap Height	Gh	mm	4		Rated Noise Power	P	W
Maximum Linear Excursion	Xmax	mm	2.4		Test Spectrum Bandwidth		130Hz~20kHz
Ferrofluid Type	FF				Driver Size	Inch	3 in
Driver Mass	Kg	0.3					

Frequency and Impedance Response



Highcharts.com