

Model No: TG9FD10-04
 Product Line: Tymphany

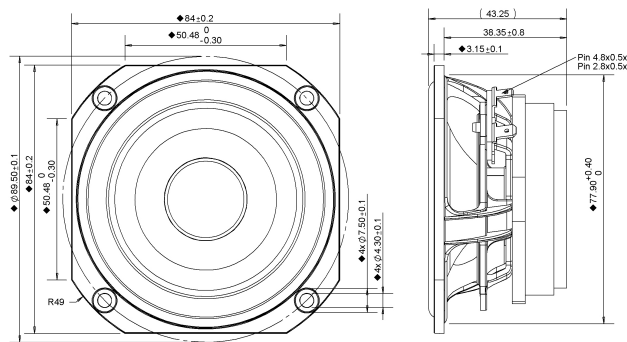
Rev: 2
 Last Update: 2015-10-28 19:28:01

Product Description

This TG family 3.5 inch 4 ohm full-range driver, with ferrite magnet, glass fiber cone, rubber surround, and plastic basket, is designed to be a cost-effective high performance full range driver. The motor contains a copper cap to lower inductance and distortion. The product was designed with portable and compact applications in mind.



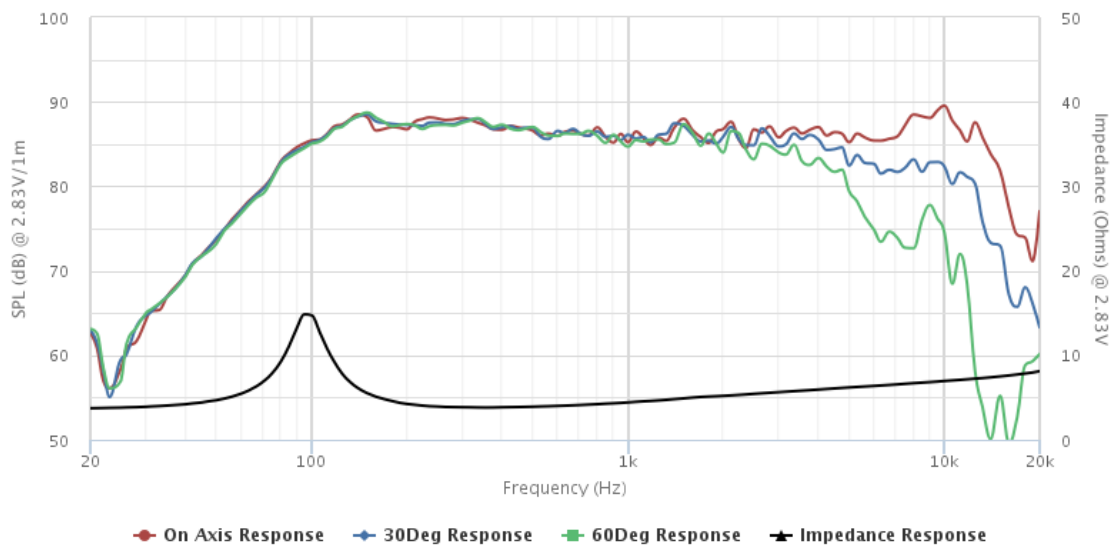
Mechanical Drawing



Specifications

DC Resistance	Revc	Ohms	3.25	5.0%	Energy Bandwidth Product	EBP	(1/Qes)*fs
Minimum Impedance	Zmin	Ohms	3.82	7.5%	Moving Mass	Mms	g
Voice Coil Inductance	Le	mH	0.07		Suspension Compliance	Cms	um/N
Resonant Frequency	Fs	Hz	113.42	15%	Effective Cone diameter	D	cm
Mechanical Q Factor	Qms		3.04		Effective Piston Area	Sd	cm ²
Electrical Q Factor	Qes	1.14			Effective Volume	Vas	L
Total Q Factor	Qts	0.83			Motor Force Factor	BL	Tm
Ratio Fs/Qts	F	Fs/Qts	137.31		Motor Efficiency Factor	β	(T*M ²)/Ohms
Half Space Sensitivity @2.83V	db@2.83V/1M	dB	87.22	+/- 1.0db	Voice coil former Material	VCfm	ASV
Half Space Sensitivity @1W/1M	db@1W/1M	dB	84	+/- 1.0db	Voice coil inner diameter	VCd	mm
Gap Height	Gh	mm	4		Rated Noise Power	P	W
Maximum Linear Excursion	Xmax	mm	2.6		Test Spectrum Bandwidth	100Hz-20KHz	
Ferrofluid Type	FF				Driver Size	Inch	3.5 in
Driver Mass	Kg	0.3					

Frequency and Impedance Response



Highcharts.com