

HORN HF64

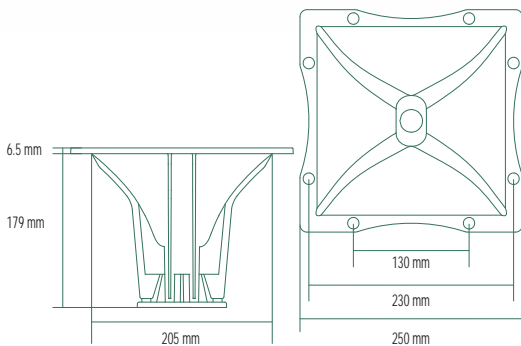
Professional High Frequency Horn



PART NUMBER 13133046

Features

- 1-inch/1.4 inch Throat Adaptor
- 60° x 40° Constant Directivity Coverage
- Loading down to 500 Hz
- Thick Aluminum Body for best heat dissipation in conjunction to Neodimium Compression Drivers
- Perfectly Controlled Dispersion

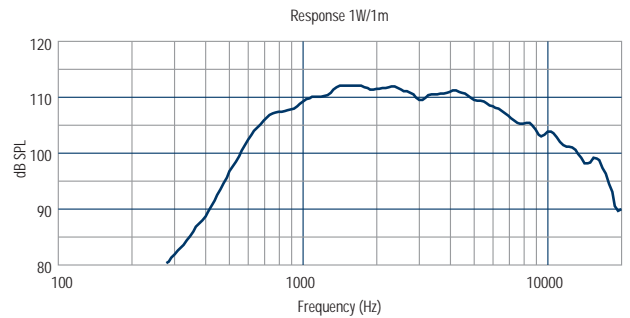


General Specifications

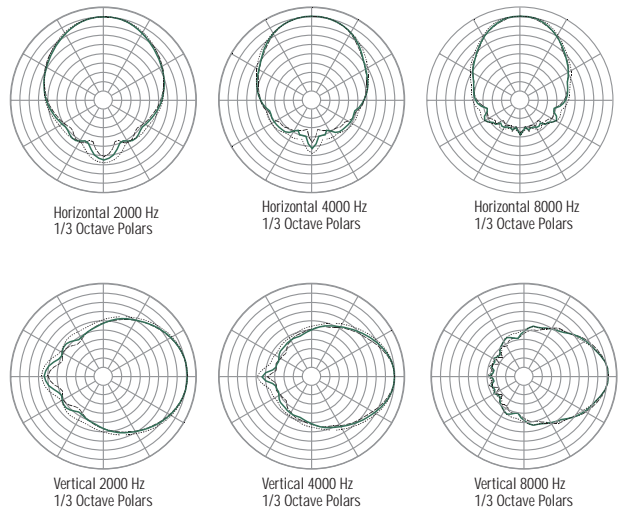
Throat Diameter	25.4-36 / 1.0-1.4	mm/inch
Nominal Coverage (-6dB)	60x40	
Cut-off Frequency	500	Hz
Material	Aluminum	

Mounting Information

Overall Dimensions	250x250	mm
Baffle Cut-out Dimensions	200x200	mm
Total Depth	180	mm
Driver Mounting		
4 x 6.5 mm holes	101/76	mm
Net Weight	1.8	kg
Shipping Weight	2	kg



Frequency response curve of the horn measured on axis at distance of 1 meter with 1 watt signal, in an anechoic environment, with ND2530-T3 compression driver.



20

100

1.000

10.000

20.000