

# HF950

## PRO HF HORN

### DESCRIPTION

1-inch/1.4 inch Throat Adaptor. 90° x 50°  
Constant Directivity Coverage. Structural  
Polyurethane Perfectly Controlled Dispersion



### FEATURES

- 1.4 inch Throat Adaptor
- 90° x 50° Constant Directivity Coverage
- Loading down to 400 Hz
- Structural Polyurethane
- Perfectly Controlled Dispersion

**TECHNICAL SPECIFICATIONS****General specifications**

Throat Diameter:	36 mm / 1.4 inch
Horizontal coverage angle:	90°
Vertical coverage angle:	50°
Cut-off Frequency:	400 Hz
Material:	Structural Polyurethane

**Mounting informations**

Overall height:	300 mm / 11.81 inches
Overall width:	300 mm / 11.81 inches
Overall depth:	208 mm / 8.19 inches
Baffle Cut-out height:	260 mm / 10.24 inches
Baffle Cut-out width:	260 mm / 10.24 inches
Mounting:	4 x 7 mm holes, interaxes 101 mm

**Standard compliance**

CE marking:	Yes
-------------	-----

**Size**

Height:	221 mm / 8.7 inches
Diameter:	270 mm / 10.63 inches
Weight:	1.06 kg / 2.34 lbs

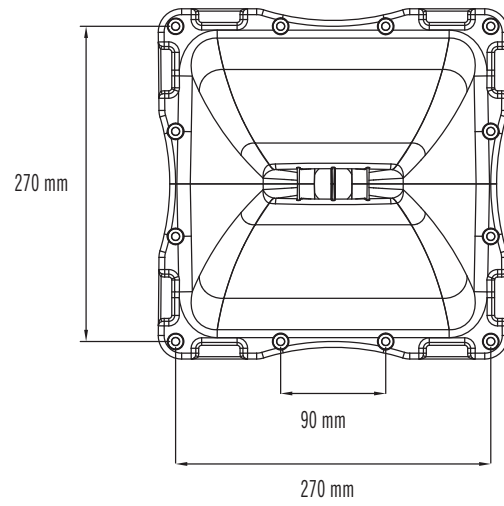
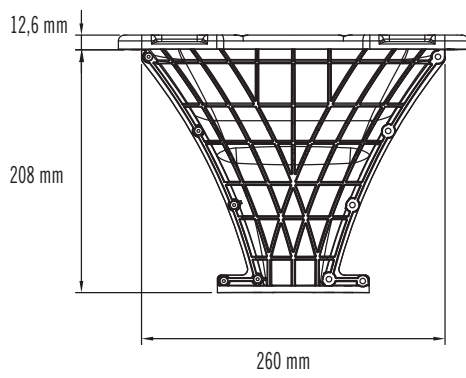
**Shipping informations**

Package Height:	239 mm / 9.41 inches
Package Width:	332 mm / 13.07 inches
Package Depth:	332 mm / 13.07 inches
Package Weight:	1.06 kg / 2.34 lbs

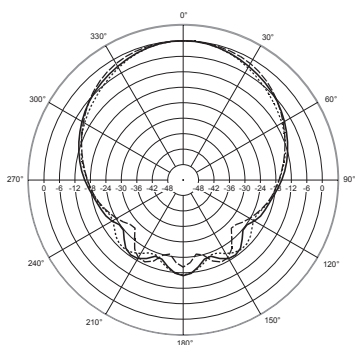
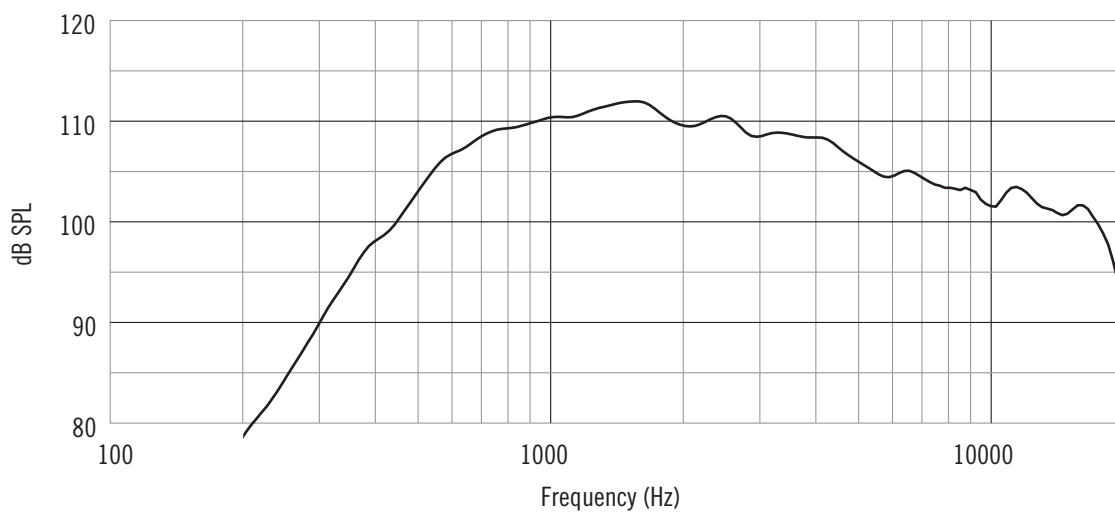
**PART NUMBER**

- **13133080**

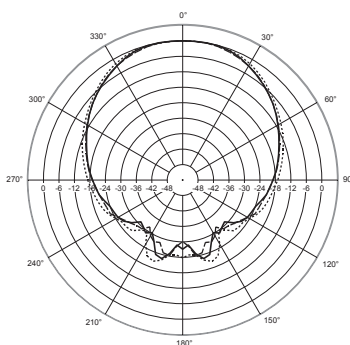
HF950



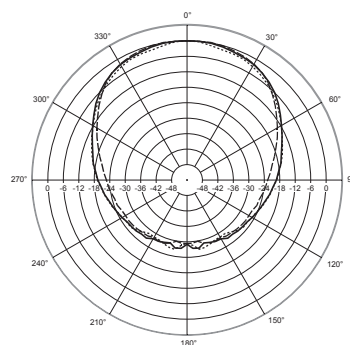
Response 1W/1m



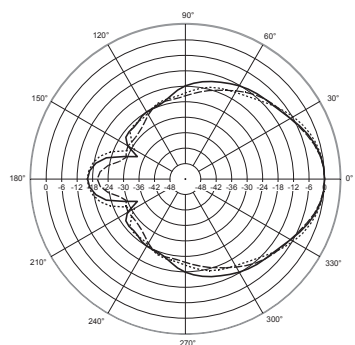
Horizontal 2000 Hz  
1/3 Octave Polars



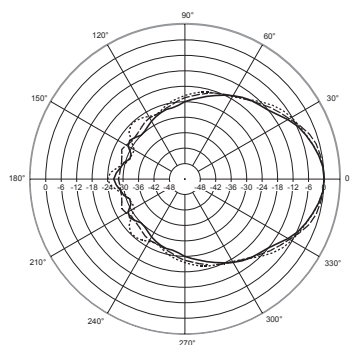
Horizontal 4000 Hz  
1/3 Octave Polars



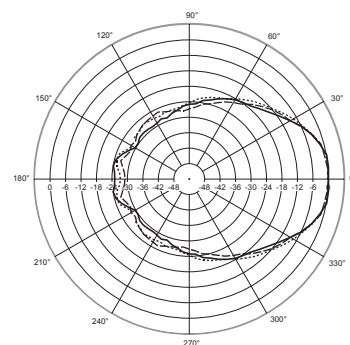
Horizontal 8000 Hz  
1/3 Octave Polars



Vertical 2000 Hz  
1/3 Octave Polars



Vertical 4000 Hz  
1/3 Octave Polars



Vertical 8000 Hz  
1/3 Octave Polars