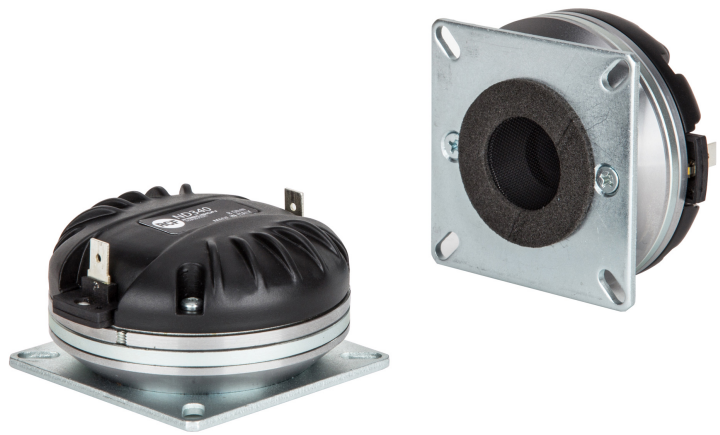


# ND340

## DRIVER

### DESCRIPTION

The ND340 is a high performance neodymium compression driver with a 1.0-inch exit throat. The diaphragm is precision formed from polyimide. The 1.75" voice coil assembly use high temperature Kapton former, edge wound copper clad aluminum wire and assembled using advanced, specially formulated adhesives.



### FEATURES

- 1.75-inch Diaphragm, 1.0-inch Exit Throat
- 100 watt Continuous program power handling
- Frequency range: 1200Hz - 20kHz
- 2-slot, optimised geometry phase plug
- Polyimide diaphragm
- Extremely compact neodymium magnet assembly

## TECHNICAL SPECIFICATIONS

### General specifications

Exit Throat Diameter:	1.0 inch / 25 mm
Related Impedance:	8 ohm
Program Power (watt):	100 W
Power handling capacity (watt):	50 W
Sensitivity:	109 dB
Frequency range:	1200 - 20000 Hz
Diaphragm Material:	Polymide
Suspension Material:	Polymide
Suspension Design:	Flat
Minimum Impedance (ohm):	6.50 ohm
Voice Coil Diameter:	1.75 inch / 44 mm
Voice Coil Material:	Edgewound Aluminium
Voice Coil Former Design:	Straight - Kapton
Number of layers:	1
Kind of layers:	outside
Flux Density:	1.9 T
Phase Plug Design:	2 slot
Phase Plug Material:	PP Composite
Magnetics:	Neodymium

### Thiele - small parameters

Bl factor (Bl) (T x m):	7.90 T x m
-------------------------	------------

### Mounting informations

Overall diameter:	76 mm / 2.99 inches
Overall height:	39 mm / 1.54 inches
Mounting:	4 x 5 mm threaded holes at 90°

### Standard compliance

CE marking:	Yes
-------------	-----

### Size

Weight:	0.63 kg / 1.39 lbs
---------	--------------------

### Shipping informations

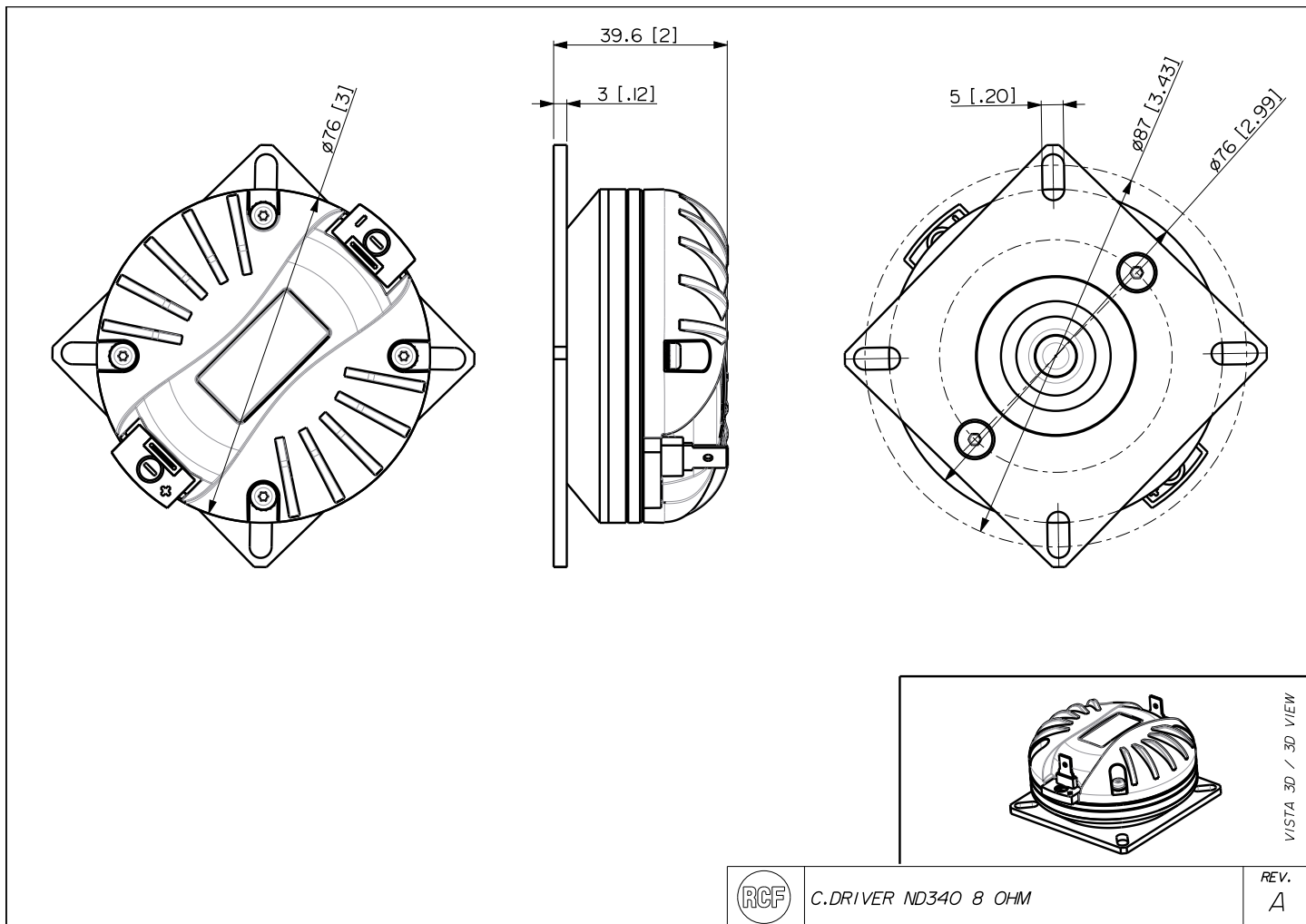
Package Height:	65 mm / 2.56 inches
Package Width:	85 mm / 3.35 inches
Package Depth:	75 mm / 2.95 inches
Package Weight:	0.81 kg / 1.79 lbs

## PART NUMBER

- **15129054**

ND340

8ohm



VISTA 3D / 3D VIEW

