

BIANCO-8CX100

AUDIENCE

8" - Coaxial - Single Motor - 100W- 92dB

Preliminary data

- Proprietary cone paper material with carbon fiber made in-house
- Integrated High-energy ferrite magnet structure for correct time alignment
- Non-Conducting fibre glass voice coil former for minimum damping
- Voice coil with APC (Advanced Polymer Coating) treatment for improved power handling
- Shorting ring in motor system for reduced distortion
- Ribbon voice coil wire for high efficiency for HF driver
- Constan directivity
- Shallow profile design for compact enclosure
- Long life silver lead wires
- Weather-proof coated cone/paper
- Smooth and natural sounding with tight bass



Dimensions & Weight

Overall Diameter	205.6 mm (8.25 in)
Bolt Circle Diameter	195 mm (7.67 in)
Baffle Cutout Diameter	179.6 mm (7.07 in)
Mounting Depth	116.9 mm (4.60 in)
Flange and Gasket Thickness	5.8 mm (0.22 in)
Net Weight	3.3 Kg (7.27 lb)
Shipping Box	232 x 222 x 169 mm (9.13 x 8.74 x 6.65 in)
Gross Weight	3.82 Kg (8.42 lb)

Recone Kit

N/A

NOTES :

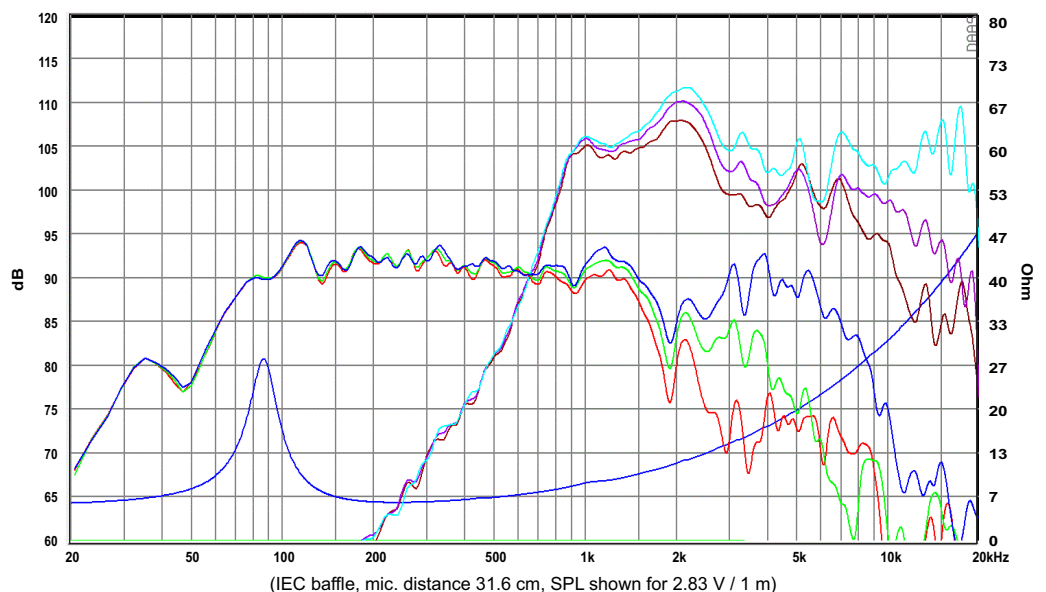
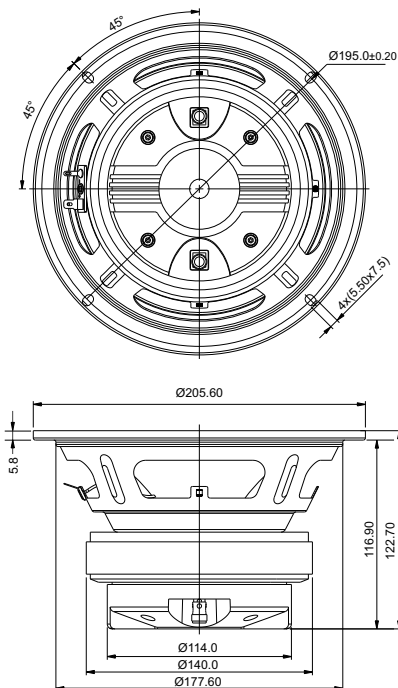
- (1) AES standard, test mode with continuous pink noise signal (6 dB crest factor; 2 hours) within the Fo to 10Fo power calculated on rated nominal impedance. Loudspeaker in free air
- (2) Maximum power is defined as 3dB greater than nominal power.
- (3) $X_{max} = ((\text{Winding depth} - \text{magnetic gap depth})/2) + (\text{magnetic gap depth}/3)$
- (4) Maximum excursion (p-p) before permanent damage

Specs :

	LF Unit	HF Unit
Nominal Impedance	8 Ohm	8 Ohm
Minimum Impedance	5 Ohm	6.2 Ohm
AES Power Handling (1)	100 W	50 W
Maximum Power Handling (2)	200 W	100 W
Sensitivity (1W/1m)	92 dB	102 dB
Frequency Range	87 - 6900 Hz	1250 - 20000 Hz
Voice Coil Diameter	49.5 mm (1.9 in)	44.3 mm (1.7 in)
Winding Material	Copper	Copper clad aluminium
Former Material	Till	Kapton
Winding Depth	16.6 mm	2.25 mm
Magnetic Gap Depth	6 mm (0.24 in)	2.5 mm (0.098 in)
Flux Density	0.87 T	1.38 T
Diaphragm Material	-	PEEK
Magnet	Ferrite	-
Basket Material	Stamped steel	-
Demodulation	-	-
Cone Surround	Double half roll with damping glue	-
NET Air Volume filled by driver	0.11 liters	-
Spider Profile	Single constant height waves	-
Weather Resistant	Yes	-

Thiele Small Parameters

Fs	87 Hz
Re	5 Ohm
Qes	0.97
Qms	4.54
Qts	0.8
Vas	10 liters
Sd	216 cm ³
Xmax (3)	7.3 mm
Xdamage (4)	14.4 mm
Mms	22.1 g
BL	7.9 N/A
Le	0.64 mH
Cms	0.15 mm/N
Rms	2.6 Kg/s
Eta Zero	0.65 %
EBP	90



Response Curve : (Woofer) --- (Blue) : on axis --- (Green) : 30° off-axis --- (Red) : 60° off-axis
(Tweeter) --- (Blue) : on axis --- (Purple) : 30° off-axis --- (Brown) : 60° off-axis