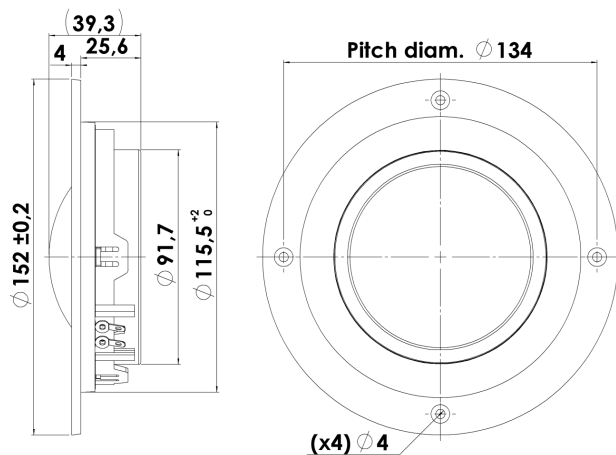




## MIDRANGE

## D7608/920010

The Discovery series offer traditional design, superior sound, a solid construction, and a wide range of variants. Combining these elements - plus a wealth of technical features and finesses - it gives our customers the possibility of acquiring a tailor-made Scan-Speak solution with very good performance at a reasonable low price point!



### KEY FEATURES:

- Fast action due to low moving mass
- High SPL Output 92dB
- Internal Ferrite Magnet
- Wide Dispersion
- Vented / open rearside
- Internal grill to prevent dome from being pushed in

#### T-S Parameters

Resonance frequency [fs]	300 Hz
Mechanical Q factor [Qms]	7.75
Electrical Q factor [Qes]	2.22
Total Q factor [Qts]	1.73
Force factor [Bl]	4.7 Tm
Mechanical resistance [Rms]	0.80 kg/s
Moving mass [Mms]	3.3 g
Suspension compliance [Cms]	0.09 mm/N
Effective diaph. diameter [D]	84 mm
Effective piston area [Sd]	55 cm <sup>2</sup>
Equivalent volume [Vas]	0.36 l
Sensitivity (2.83V/1m)	92 dB
Ratio Bl/ $\sqrt{Re}$	1.97 N/ $\sqrt{W}$
Ratio fs/Qts	174 Hz

#### Notes:

IEC specs. refer to IEC 60268-5 third edition.  
All Scan-Speak products are RoHS compliant.  
Data are subject to change without notice.  
Datasheet updated: February 22, 2011.

#### Electrical Data

Nominal impedance [Zn]	8 $\Omega$
Minimum impedance [Zmin]	6.2 $\Omega$
Maximum impedance [Zo]	25.6 $\Omega$
DC resistance [Re]	5.7 $\Omega$
Voice coil inductance [Le]	0.13 mH

#### Power Handling

100h RMS noise test (IEC 17.1)*	80 W
Long-term max power (IEC 17.3)*	- W

\*Filter: 2. order HP Butterworth, 500 Hz

#### Voice Coil and Magnet Data

Voice coil diameter	76 mm
Voice coil height	2.9 mm
Voice coil layers	2
Height of gap	2 mm
Linear excursion	$\pm 0.4$ mm
Max mech. excursion	$\pm 1.5$ mm
Unit weight	0.6 kg

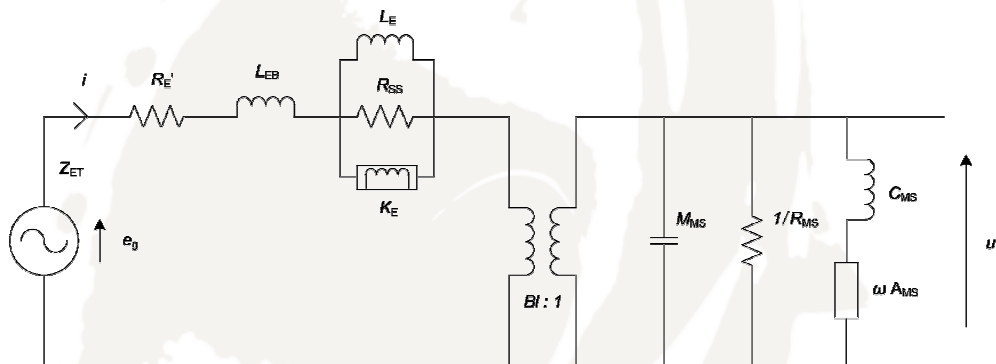


MIDRANGE

D7608/920010



### Advanced Parameters (Preliminary)



**Electrical data:**

Resistance [Re']	- Ω
Free inductance [Leb]	- mH
Bound inductance [Le]	- mH
Semi-inductance [Ke]	- SH
Shunt resistance [Rss]	- Ω

**Mechanical Data**

Force Factor [Bl]	- Tm
Moving mass [Mms]	- g
Compliance [Cms]	- mm/N
Mechanical resistance [Rms]	- kg/s
Admittance [Ams]	- mm/N